

# PRISM

## FSG200 Free Standing Gantry

**The Prism FSG200 Free Standing Gantry system is designed to provide a safe, stable hoist track in places where a fixed ceiling track is not available or portable solution is required.**

When used in conjunction with a portable track hoist, such as the Prism CP200, the system is perfect for home care, allowing users to extend the time they remain in their own home by years.

It's a cost effective solution that is easy to transport and simple erect in minutes by either 1 or 2 people without the need for tools.

The FSG200 has a safe working load of 200kg, which is approximately 31<sup>1/2</sup> stones or 440 pounds, and caters for the requirements of both the patient and caregiver, providing a safe and dignified experience for both.

### Features

- High-strength lightweight aluminium
- 200kg (440lbs) max load
- 1.9-2.85m (6.2-9.35ft) adjustable track length
- 2.1-2.5m (6.9-8.2ft) adjustable height
- Stable 0.87m (2.85ft) feet
- Built-in easy-slide trolley
- Floor level adjusters
- Star Handle securing screws
- Safety latch to prevent uprights retracting
- Securing Bolts and lynch pins
- One (1) year warranty



### Benefits

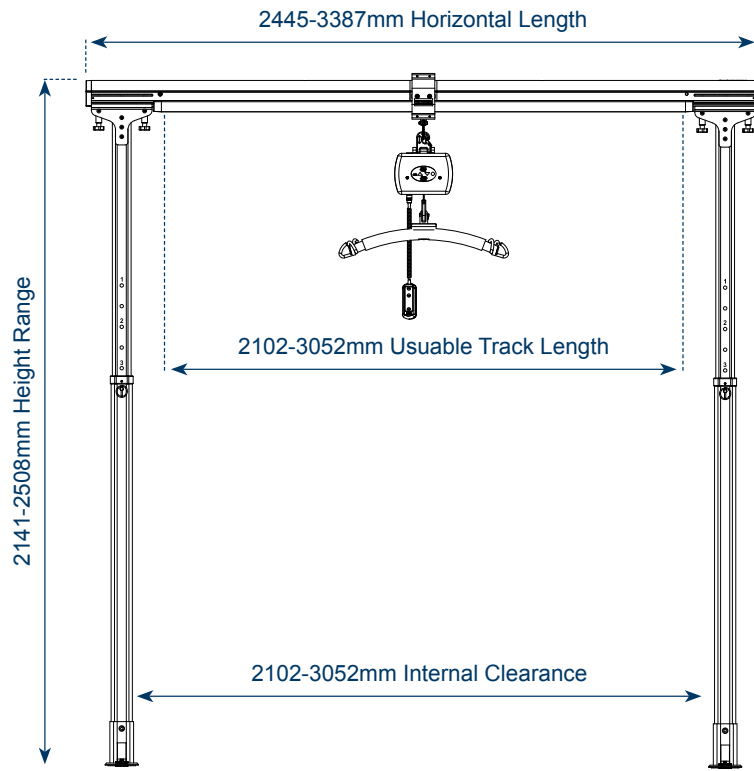
- Extends the time people can stay in their own homes by years
- No structural alterations required to the room or ceiling
- Complete safety, dignity and comfort for the client and carer.
- Compatible with CP200 Portable Track Hoist
- Compatible with other portable hoists with QRS connectors
- Can be used to lift and transfer individuals from a bed, chair or similar fixture
- Easy to assemble, can be assembled by one person without tools (2 person assembly is recommended)

**For more information please call 01924 840 100  
Or visit [www.prismmedical.co.uk](http://www.prismmedical.co.uk)**

## FSG200 Free Standing Gantry

### Technical specifications

Max Safe Working Load	200kg
Minimum Useable Track Length	1900mm
Maximum Useable Track Length	2825mm
Minimum Unit Width	2445mm
Minimum Unit Width	3387mm
Minimum Ceiling Height	2141mm
Maximum Gantry Height	2508mm
Foot length	870mm
Total Weight (Boxed)	47.5kg
Unit weight (inc Trolley)	44kg
Track / Trolley Weight	16kg
Upright weight (x2)	10.5kg each
Feet weight (x2)	3.5kg each
Height adjustments	75mm
Warranty	1 year



If you require additional information, please call 01924 840 100 or visit [www.prismmedical.co.uk](http://www.prismmedical.co.uk)