

PRISM CP200 Portable Track Hoist

The Prism CP200 Portable Track Hoist offers exceptional versatility and cost savings as it can be quickly moved between multiple fixed ceiling track systems and used in conjunction with gantry systems such as the Prism FSG200 or Easy-Fit.

The 'QRS' quick release systems on both the top and bottom of the unit allows it to be swapped between fixed and portable applications in seconds, simply by altering the orientation of the unit and which QRS hook the carry bar is fitted to.

The CP200 is compact and quiet in use, offering a soft start/stop feature for user comfort and provides up to 60 lifts on a single charge. With a maximum rated load of 200 kilos, which is approximately 31^{1/2} stones or 440 pounds.

Features

- Compact lightweight aluminium chassis, total unit weight 4.5kg without a carry bar.
- Capable of transferring a patient of up to 200kg (440lb)
- Up, down and emergency lowering controls on both hand controller and unit
- Power switch on rear of unit
- Auto power off after approximately 30 seconds of non- use to save battery
- 50-60 lifts per charge
- Integrated wall dock and charger
- QRS reacher and QRS carry bar
- Trolley Set (compatible with Prism Medical ceiling track systems)
- LED indicators for:
 - Battery and error status
 - Sleep mode
 - Emergency lower
 - Temperature warnings
 - Lifted weight is over capacity
 - Slack tape error
 - Charger fault



Benefits

- Portable
- Cost saving compared to multiple fixed installations
- Can be fitted, and moved between any suitable ceiling track or overhead gantry with a compatible trolley set
- Move patients with minimal effort whilst maintaining their comfort and dignity
- No lifting required. Can be fitted and removed using the QRS reacher
- Option of two carry bars. UK Standard with 3 open hooks or International with clip fastenings

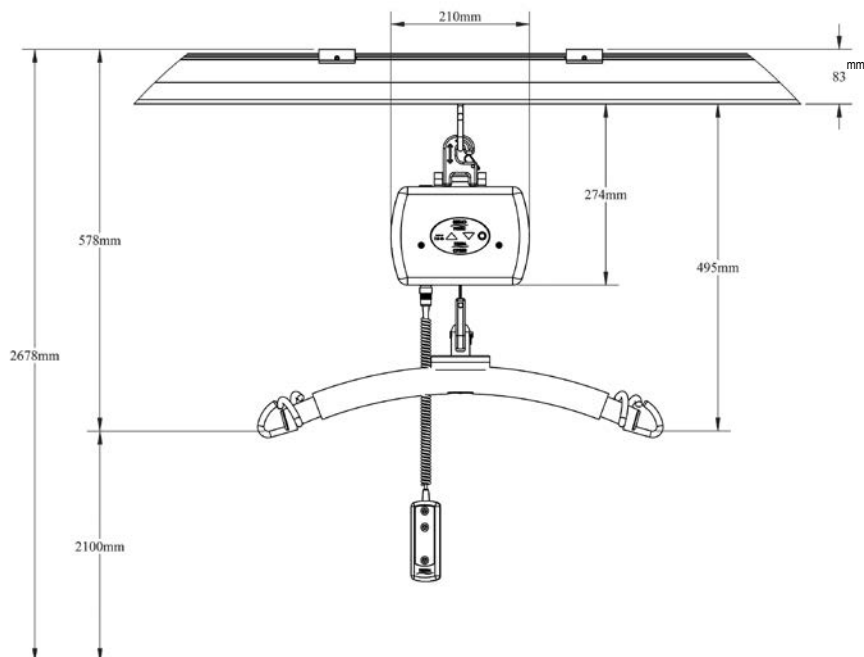
For more information please call 01924 840 100
or visit www.prismmedical.co.uk

PRISM CP200 Portable Track Hoist

Technical specifications

Max Safe Working Load	200kg
Hoist Case	Non Flammable ABS Plastic
Length	208mm
Width	177mm
Height	149mm
Weight	4.5kg (Hoist only)
Rail Transfer	Manual
Hosting Range	Up to 2100mm
Lifting Speed (unloaded)	35mm/s
Lifting Speed (100 kg loaded)	25mm/s
Charger Input	100- 240V
Charger Output	24V - 1.33 amps
Emergency Stop	Electric
Hand Control	Electric 3 (Button)
Batteries	2 x 12V - 3.3Ah Nimh
In Track Charging	Not Available
Removable from Track	Yes
Duty Cycle	15% use, 85% rest

Hoist Dimensions and Lifting range



If you require additional information, please call 01924 840 100
or visit www.prismmedical.co.uk

